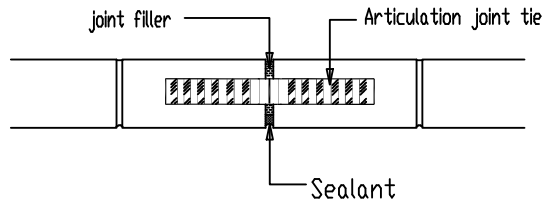
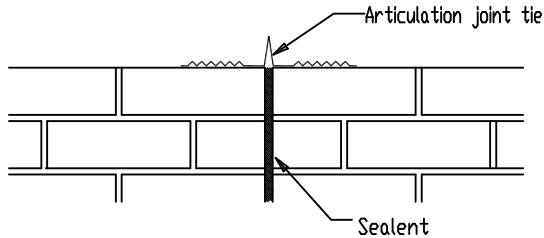
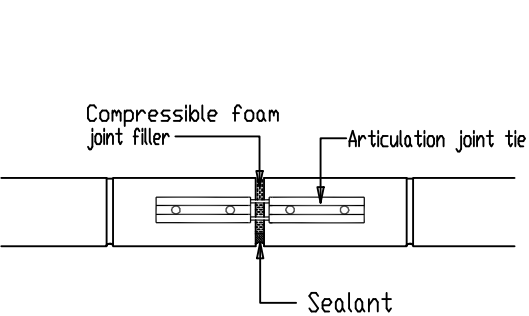


Articulation Joint
Scale 1:10



Reinforced Concrete Masonry Manufactured By Island Block & Paving
Articulation Joint Ties
Scale 1:10