

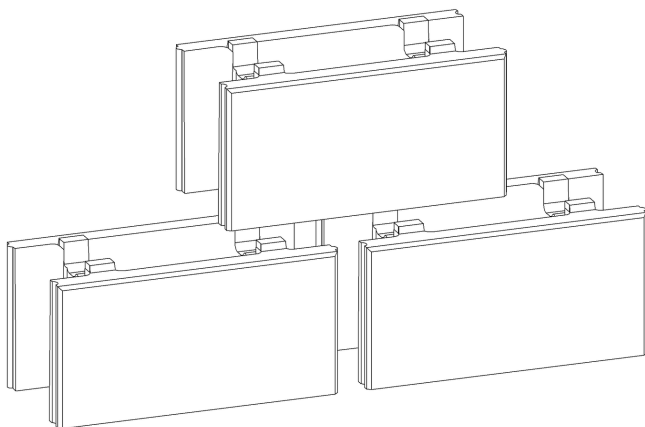
DIY WALL BLOCKS

“No mortar, no fuss”

Do it yourself concrete blocks provide a lightweight, mortarless block, for unskilled labour to build their own concrete block walls. Each DIY wall block has patented connecting lugs which automatically connect to the adjoining blocks when laid. The 400mm L x 200mm W x 200mm H DIY wall blocks can incorporate C section fence posts, Colorbond panel fences and balustrades within the blocks, ensuring that all available space is utilized by not having to fix any boundary posts behind the wall. With recycled aggregates and Greentag certification, DIY blocks tick the boxes as an environmentally responsible DIY alternative to concrete block walls.



Natural Lightweight Colour



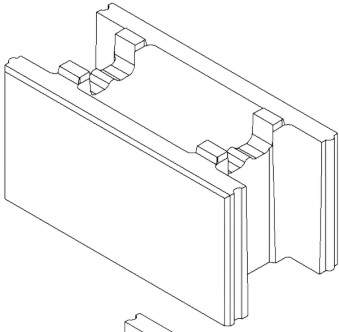
- DO IT YOURSELF
- BUILD YOUR OWN WALLS
- SUSTAINABLE CONCRETE BLOCK OPTION
- SELF LOCATING, LIKE LEGO BLOCKS
- LIGHTWEIGHT
- SAVE TIME & \$\$\$

Design Registration: 2021 15060

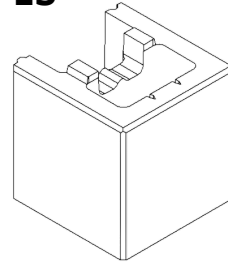


islandblock.com.au

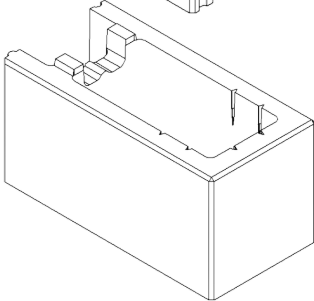
AVAILABLE BLOCK TYPES



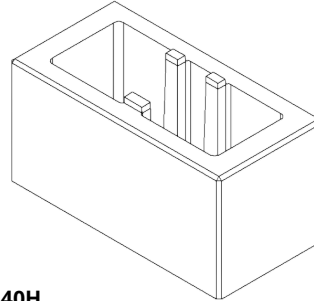
Full Block
400L x 200W x 200H
12kg each
90 per pallet



Half Block
200L x 200W x 200H
7.80kg each
180 per pallet



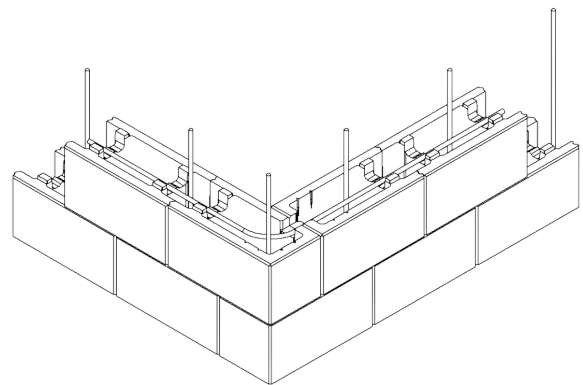
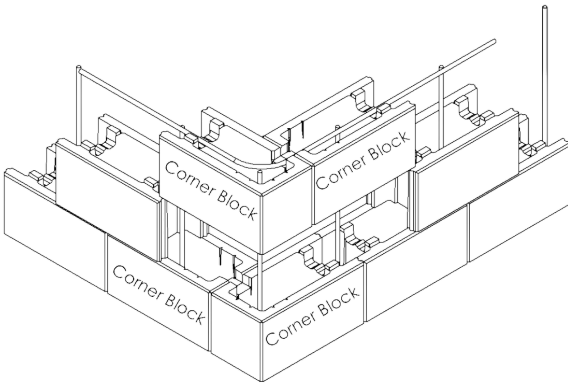
Corner Block
400L x 200W x 200H
12.80kg each
90 per pallet



Pier Block
400L x 200W x 200H
12.80kg each
90 per pallet

Capping 390L x 190W x 40H

CORNER DETAIL



AVAILABLE COLOURS: Natural Lightweight, Ebony ECO, Mist ECO

TECHNICAL DATA

Working Dimensions AS 4455.1 2008: + or - 2mm
Unconfined Compressive Strength: >15 Mpa
Material Density: Average Dry Mass: <1800kg/m³
F.R.L. (Fire): Structural Adequacy / Insulation / Integrity: -/240/240 Core filled
Weight per lightweight block: 12 kg each
* Deemed to comply with AS3700 per CMAA MA55 design manual

INSTALLATION



ESTIMATING DATA

12.5 Blocks Per M²
1 m³ of core fill to 125 Blocks
1 m³ of core fill to 10 M² Blocks
1 x 300 grams adhesive adheres 20 Blocks
90 x Blocks per pallet
83 Blocks per tonne

TASMANIA PRICING inc GST | October 2023

	NATURAL LIGHTWEIGHT	COLOURED
Full Block	\$6.50	\$9.20
Half Block	\$4.00	\$5.60
Corner Block	\$6.50	\$9.20
Pier Block	\$7.50	\$10.20
40mm Capping (390x190x40mm)	\$3.31	\$4.97
50mm Capping (400x200x50mm)	\$6.37	\$6.37

AVAILABLE FROM

islandblock.com.au

FRECALL 1800 004 499

Email: sales@islandblock.com.au

"No one knows Bricks, Blocks & Pavers better"

